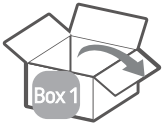


Silver Cross®

Bromley

Cot Bed
Instruction Manual



1x2 2x2



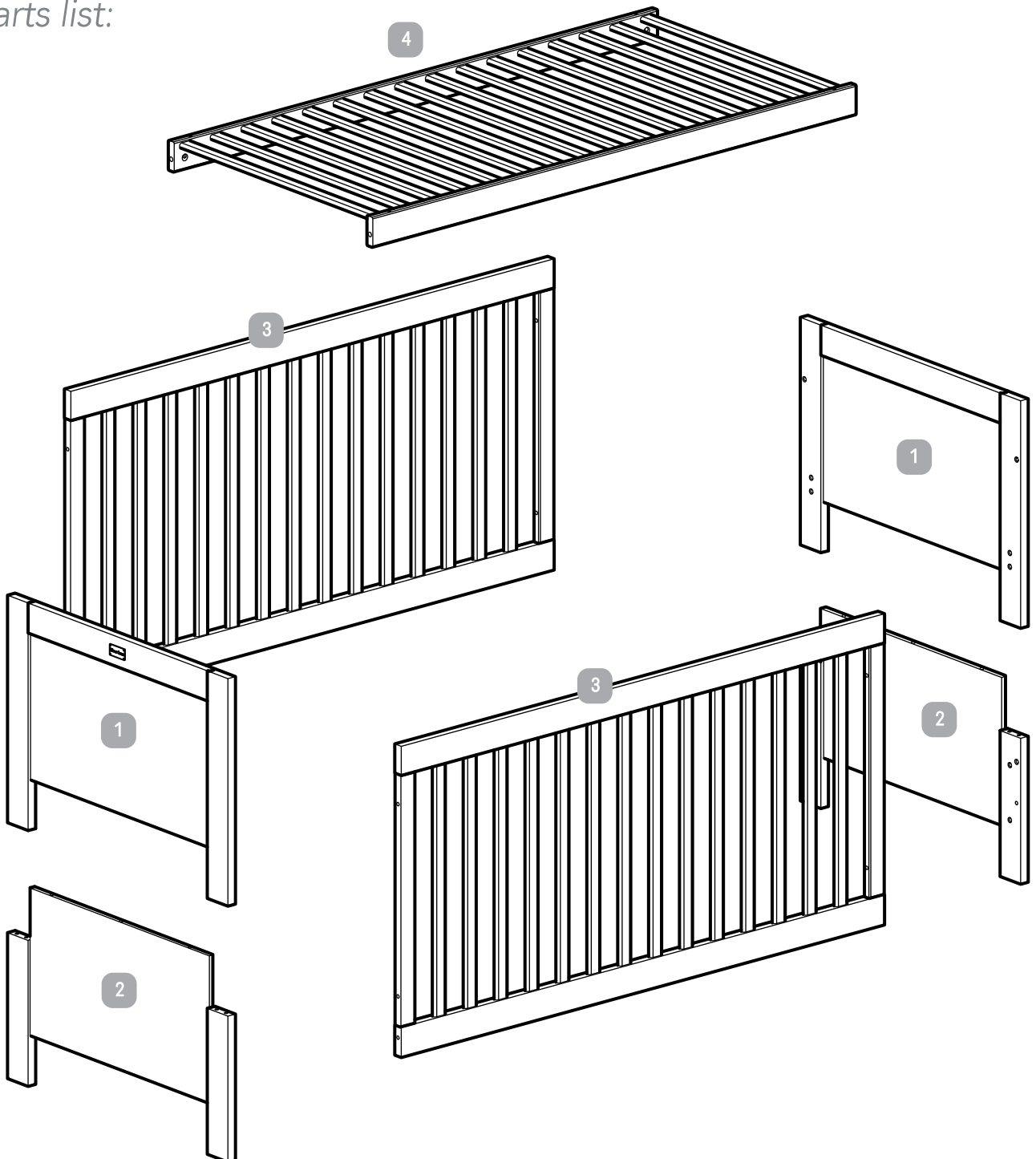
3x2 4



IMPORTANT: THE ASSEMBLY OF THIS PRODUCT REQUIRES TWO PEOPLE

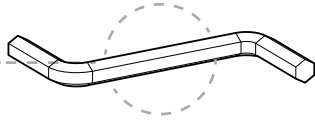
IMPORTANT: KEEP THESE INSTRUCTIONS FOR FUTURE REFERENCE

Parts list:



Fittings list:

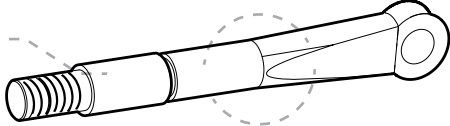
1 x **A**
(M4)



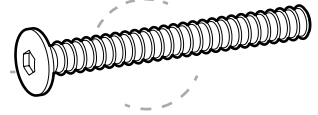
8 x **B**



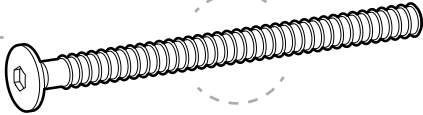
4 x **C**



8 x **D**
(6x60)



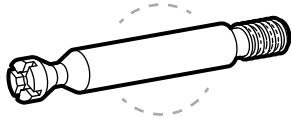
4 x **E**
(6x80)



18 x **F**
(8x40)



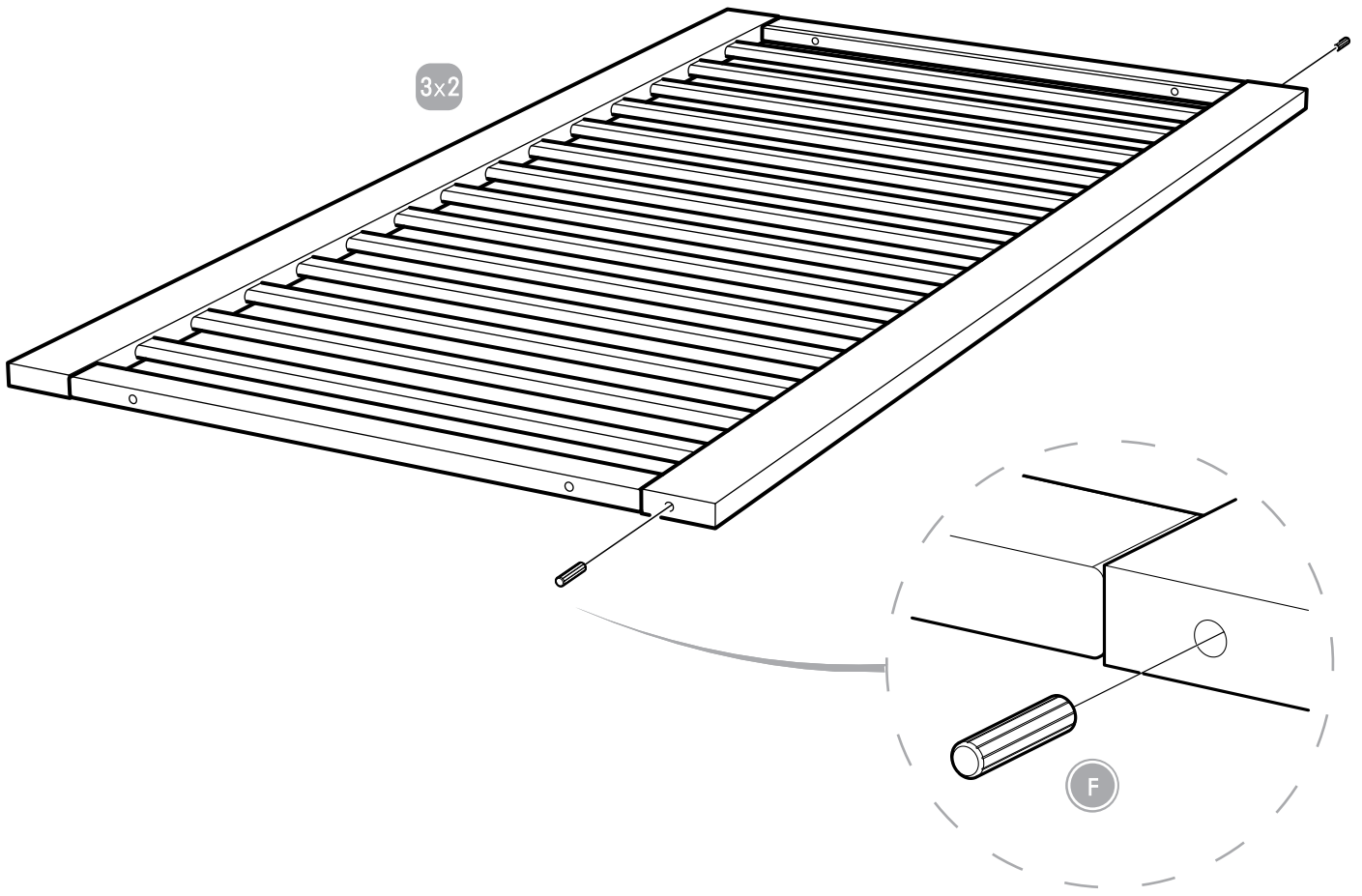
4 x **G**



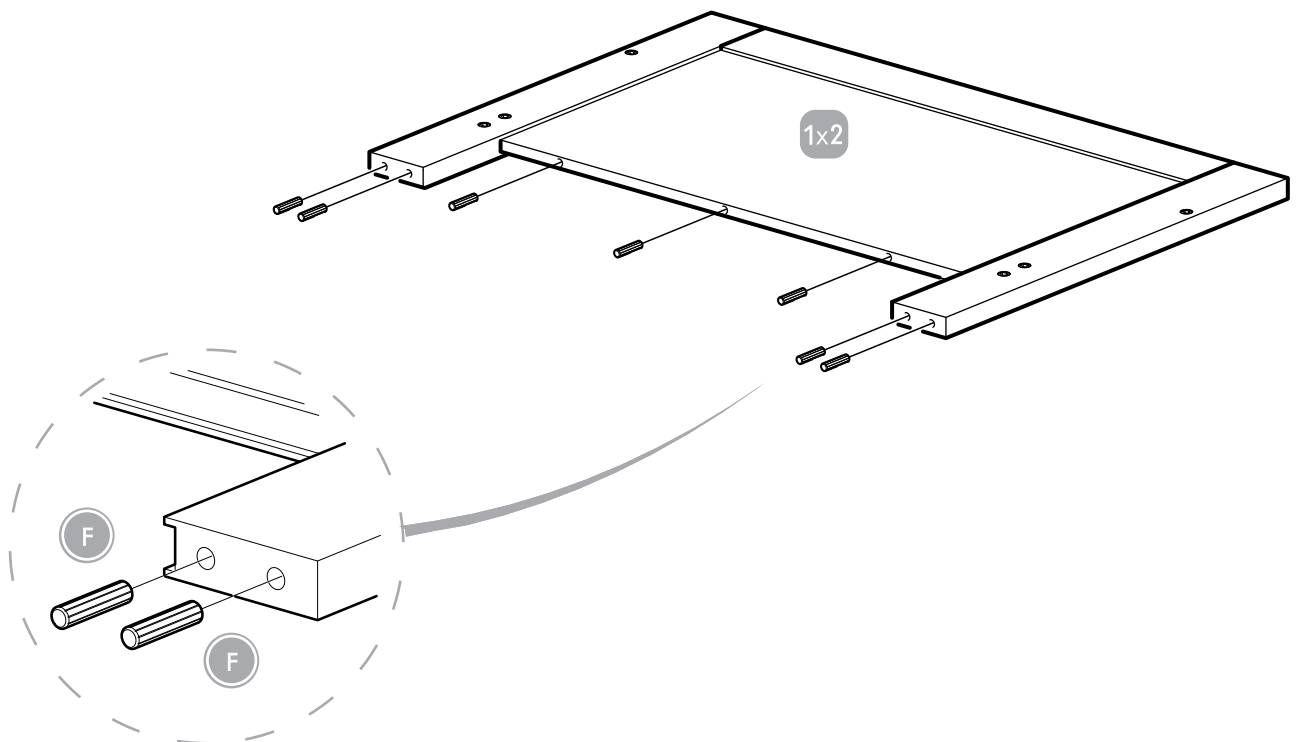
4 x **H**



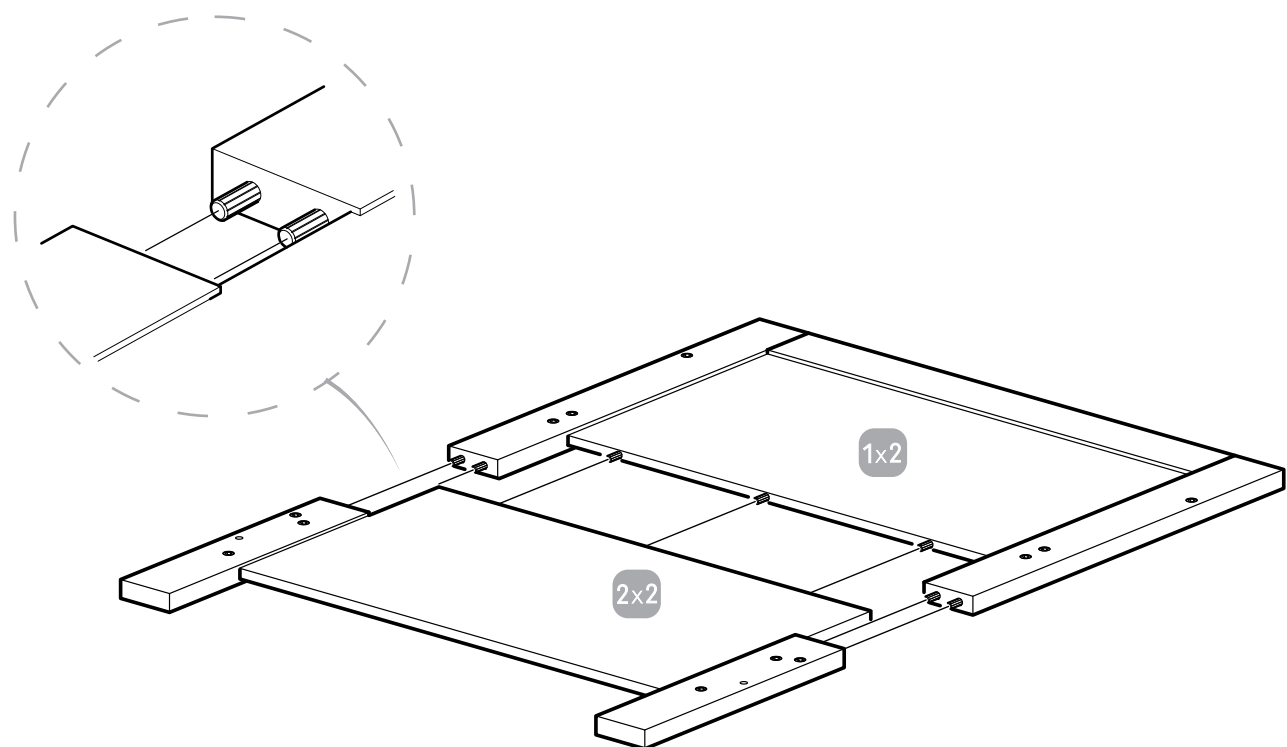
Step 1:



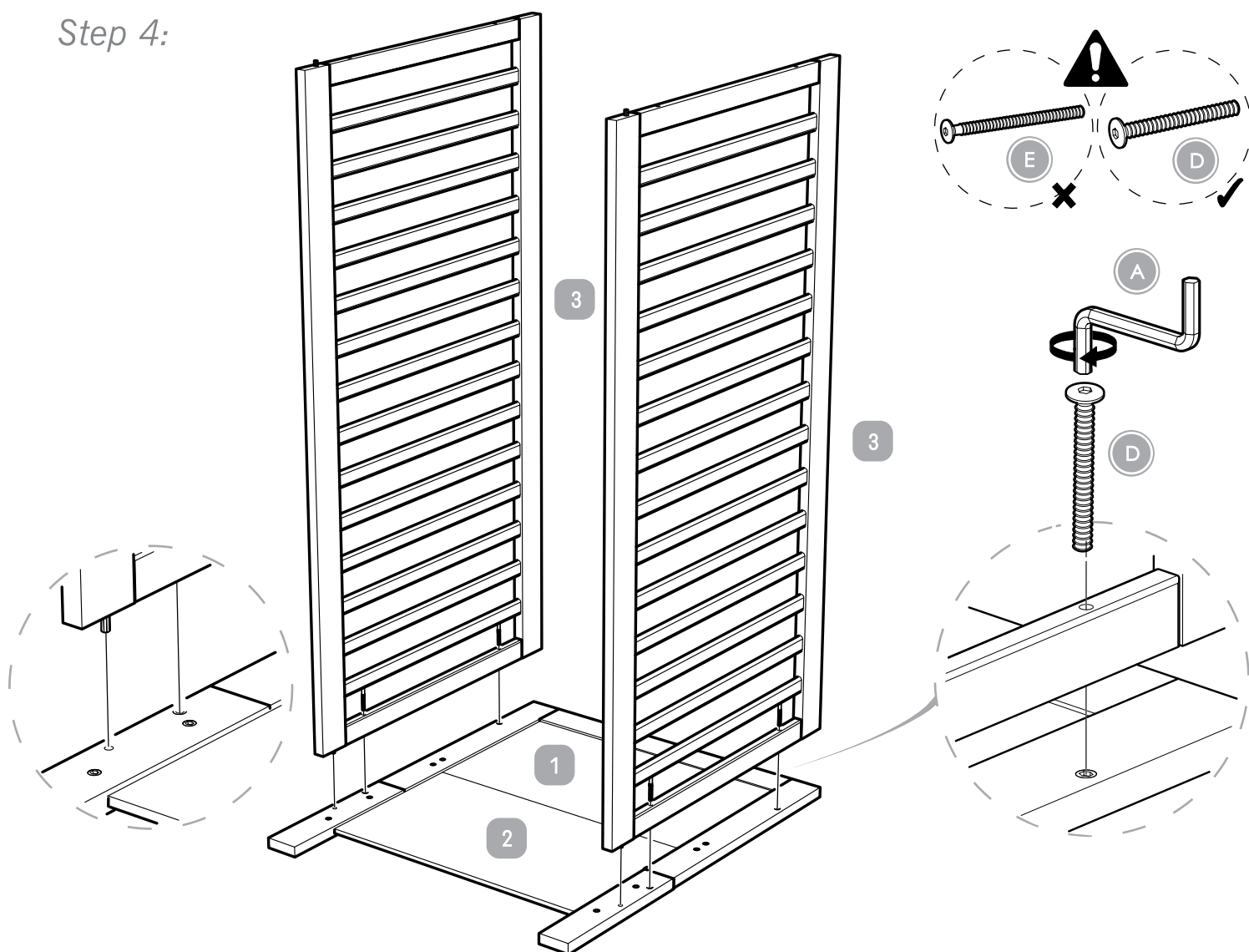
Step 2:



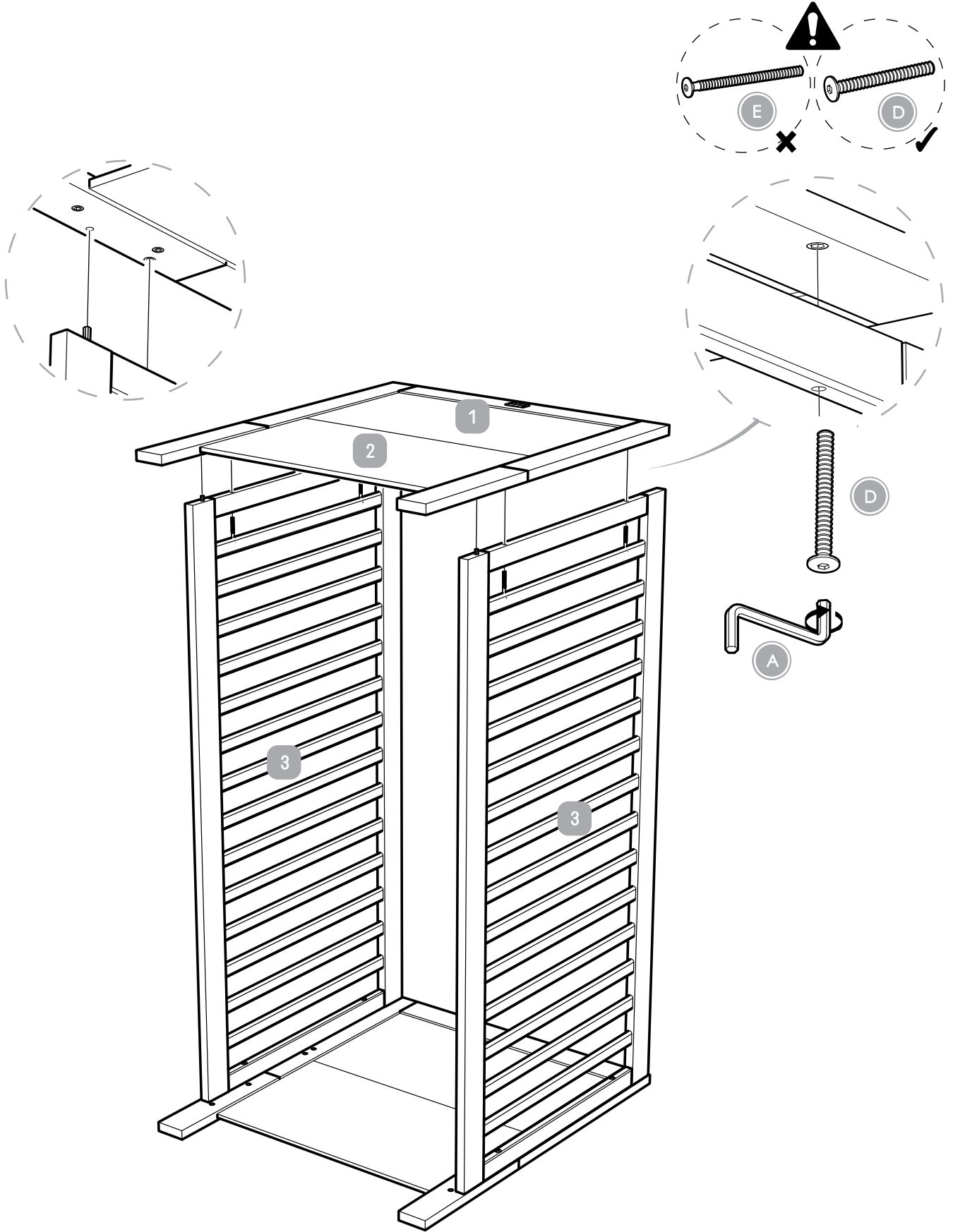
Step 3:



Step 4:



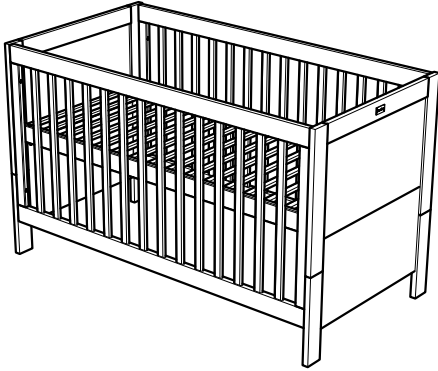
Step 5:



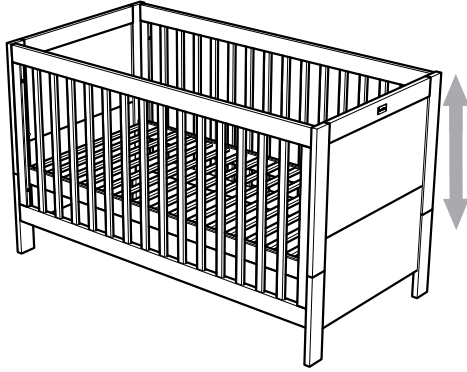
Step 6:



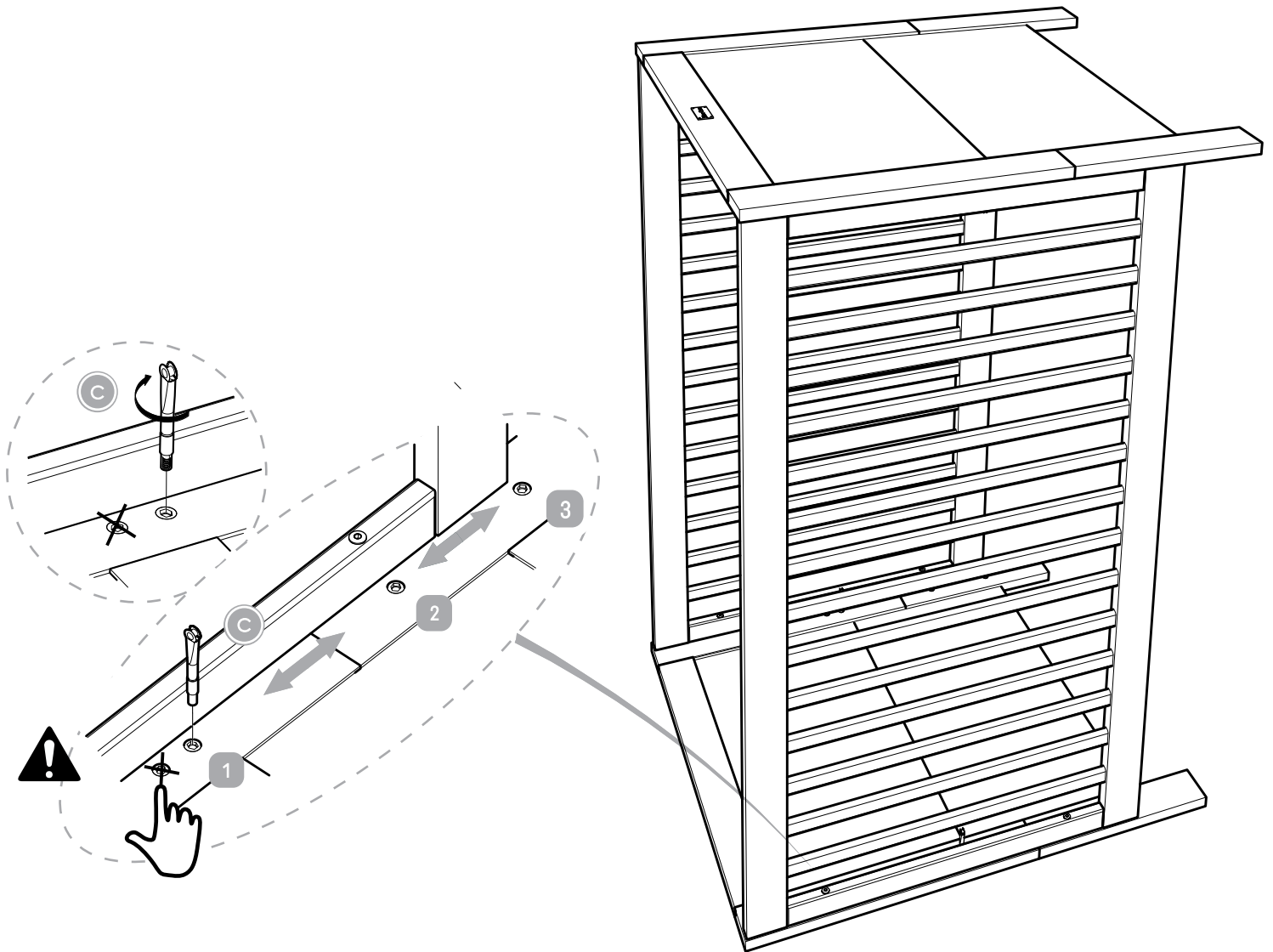
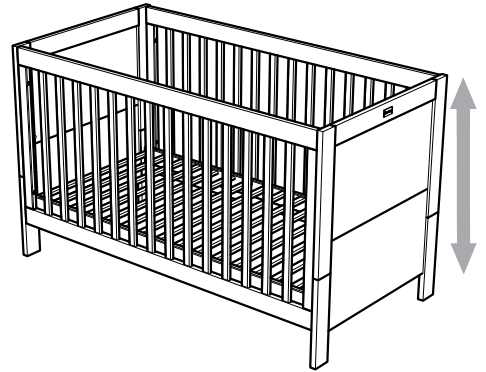
1



2

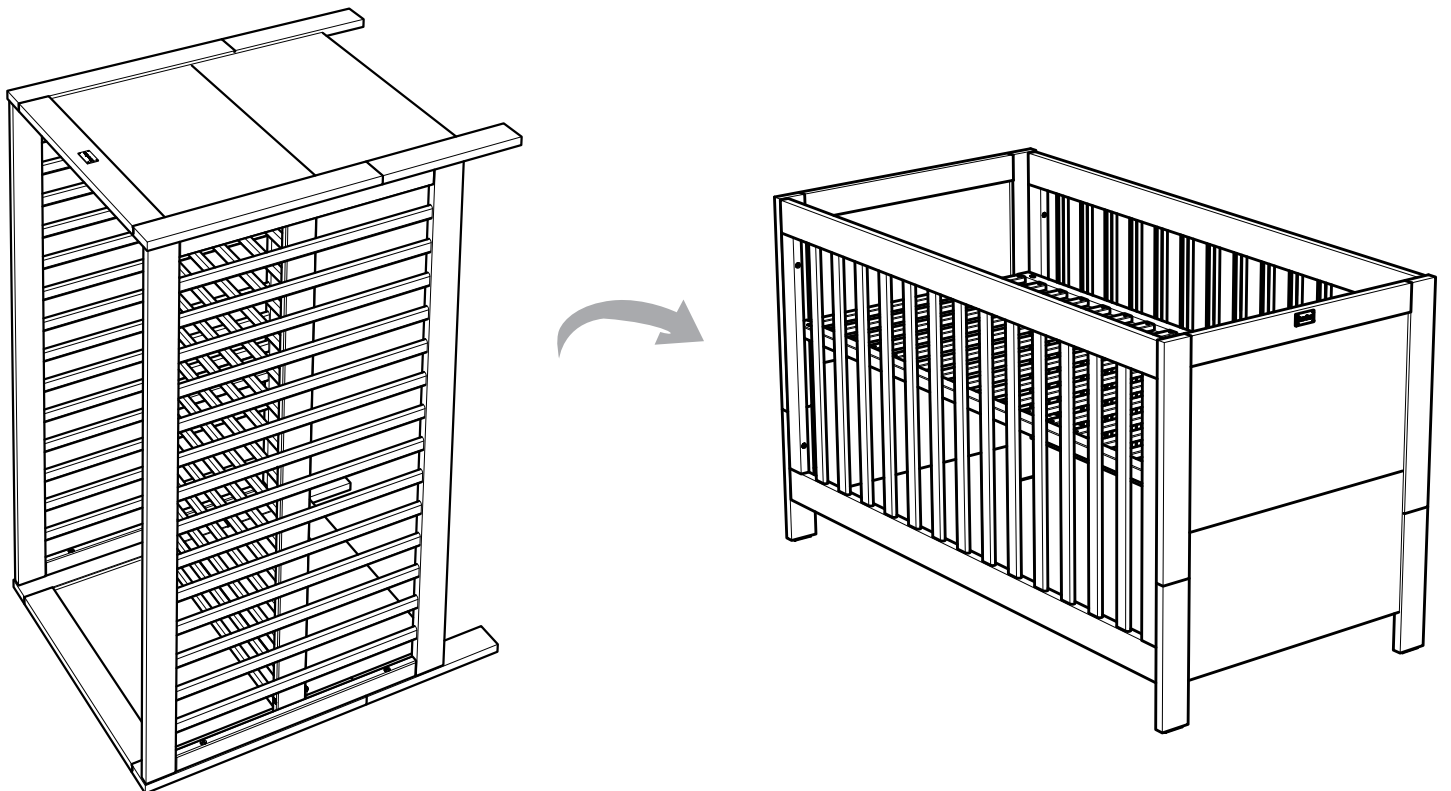
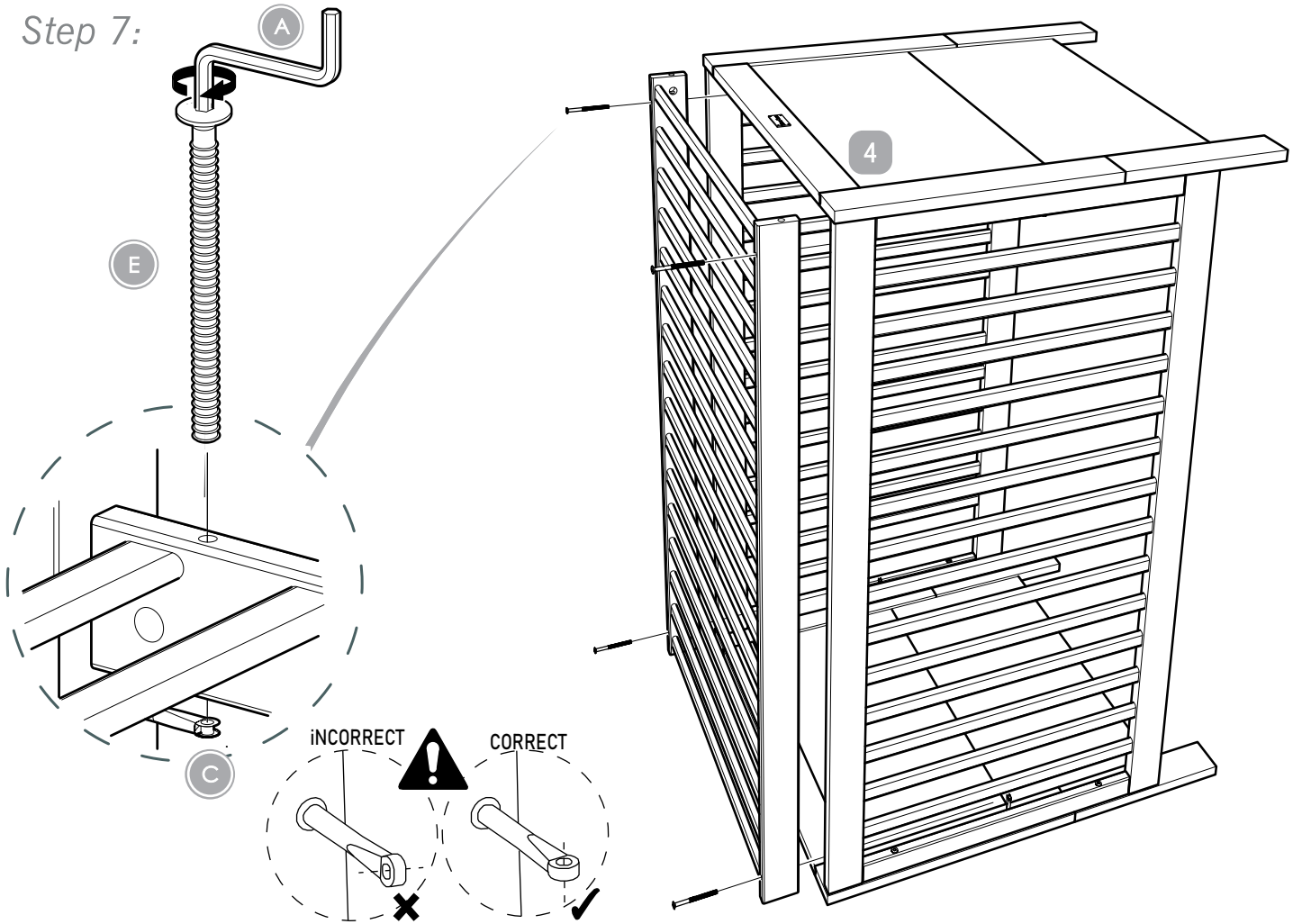


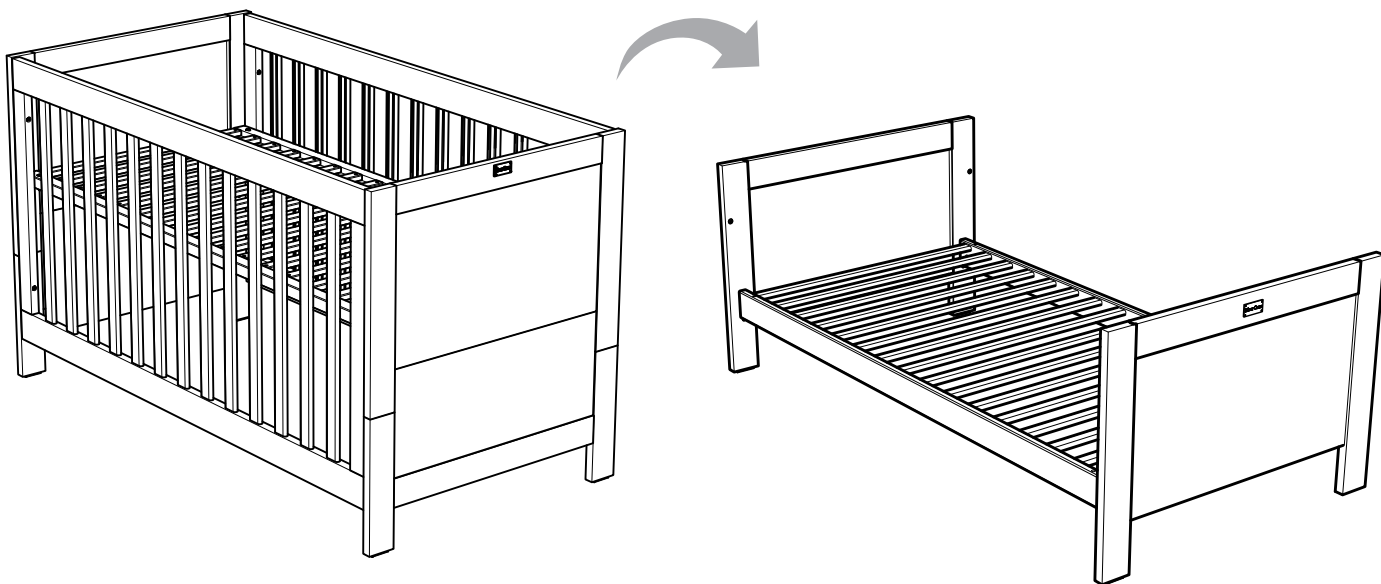
3



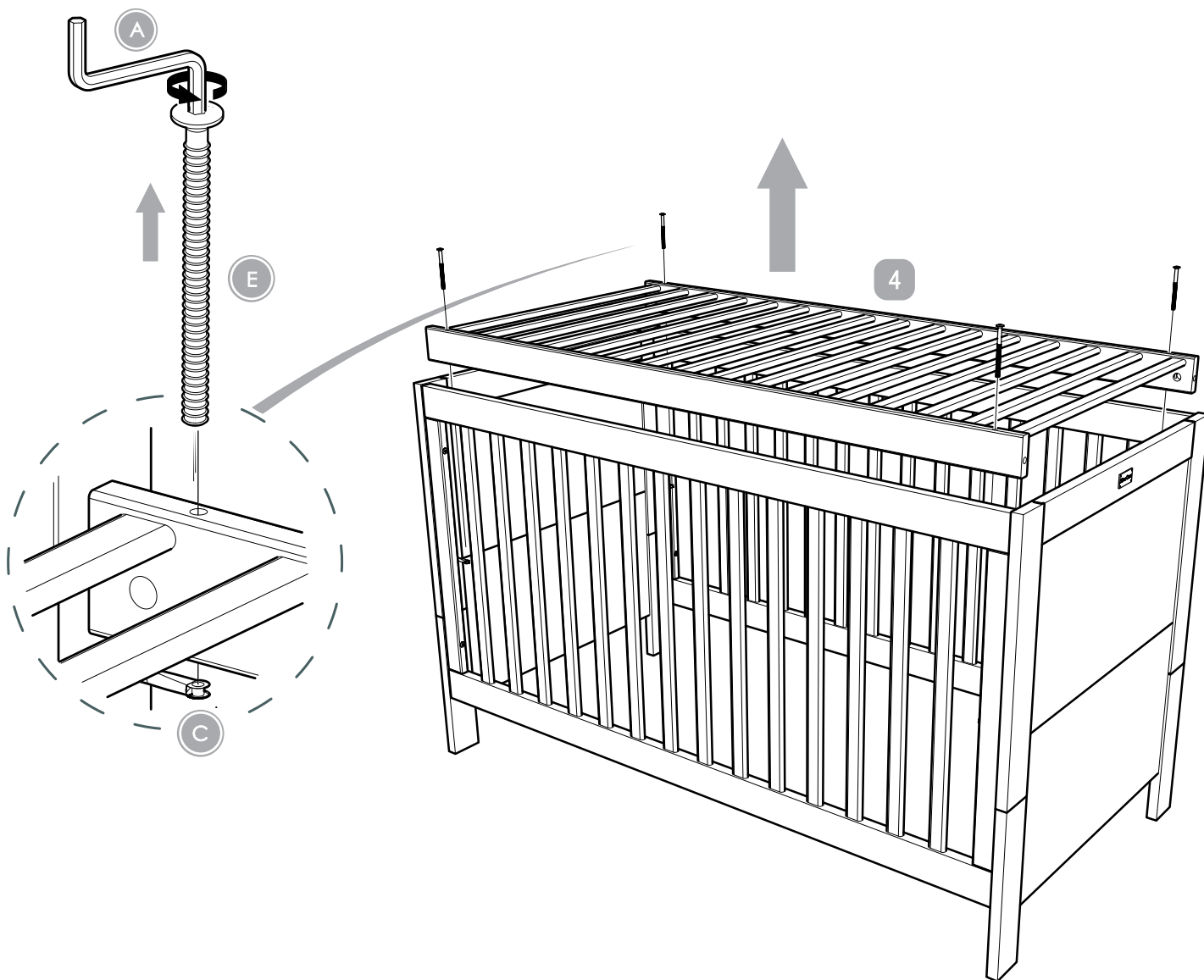
The cot bed base can be fitted at three different heights.
The lowest is the safest.

Step 7:

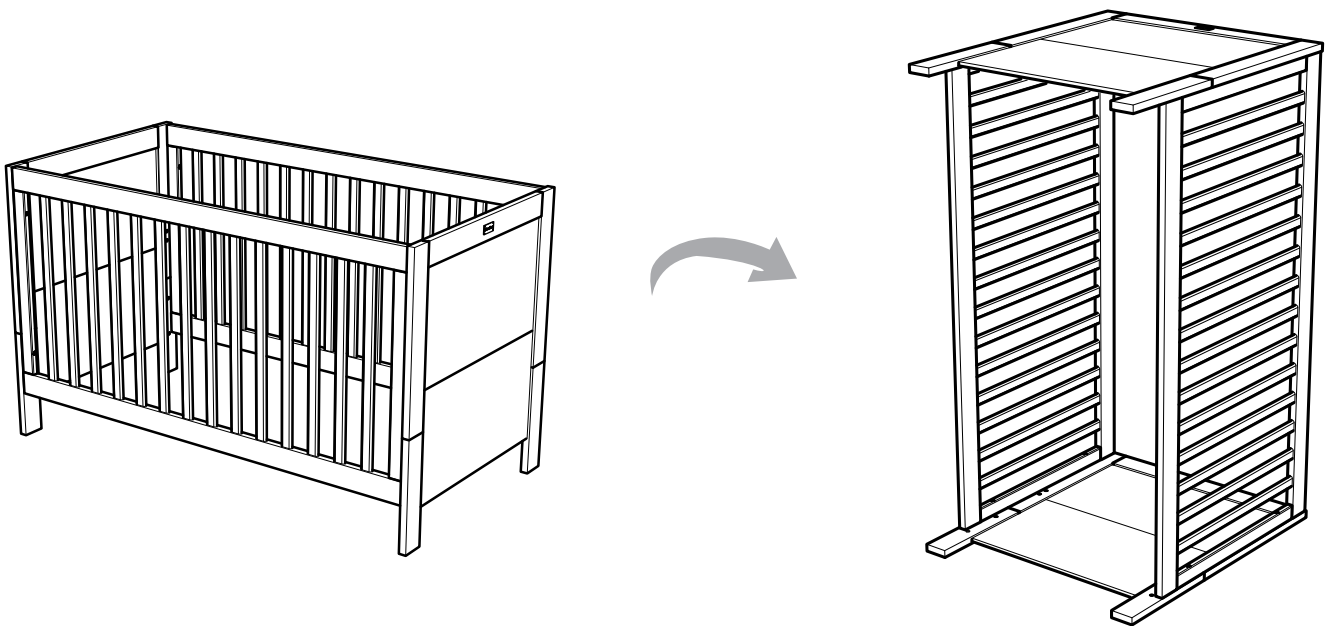
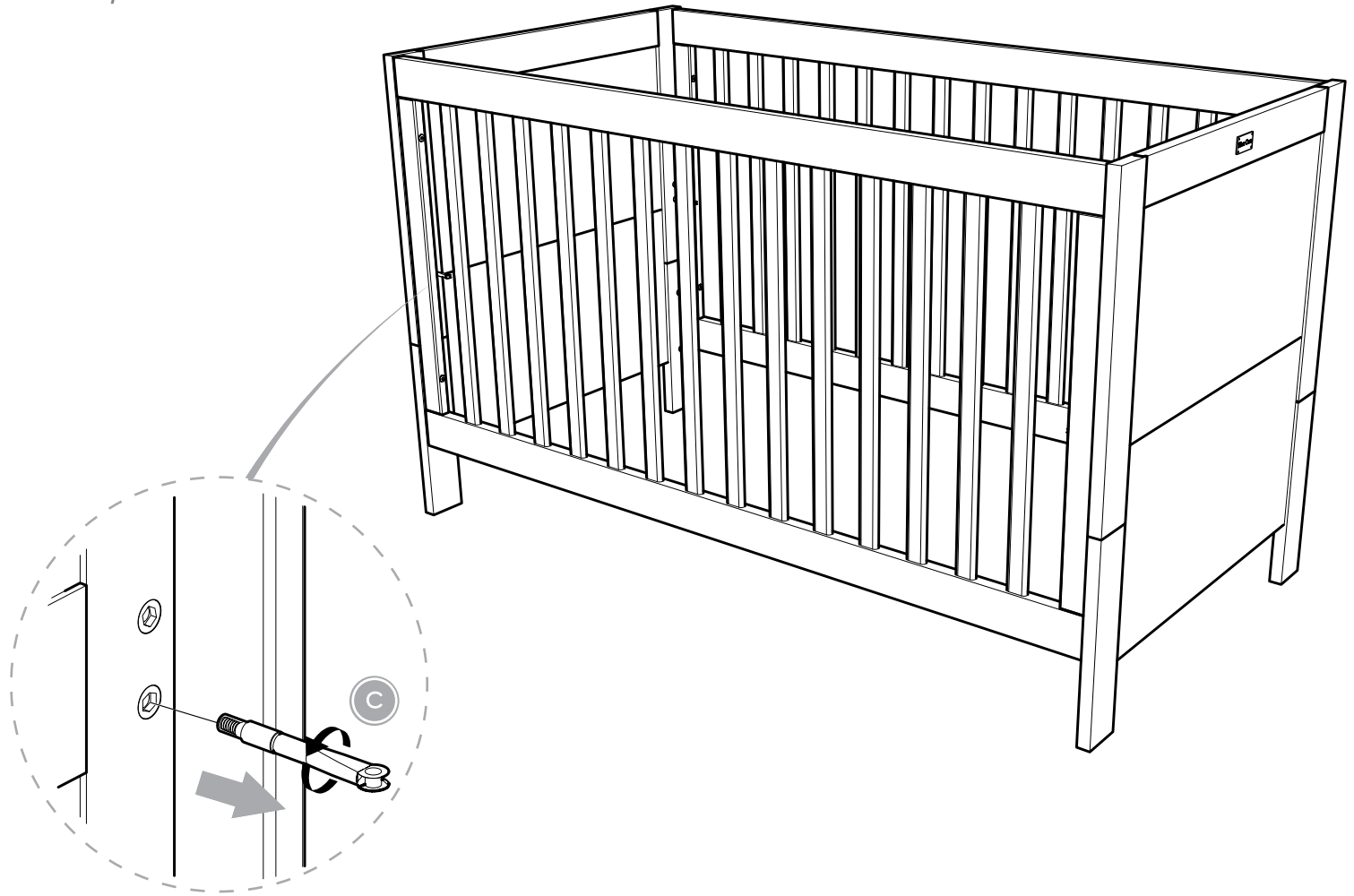




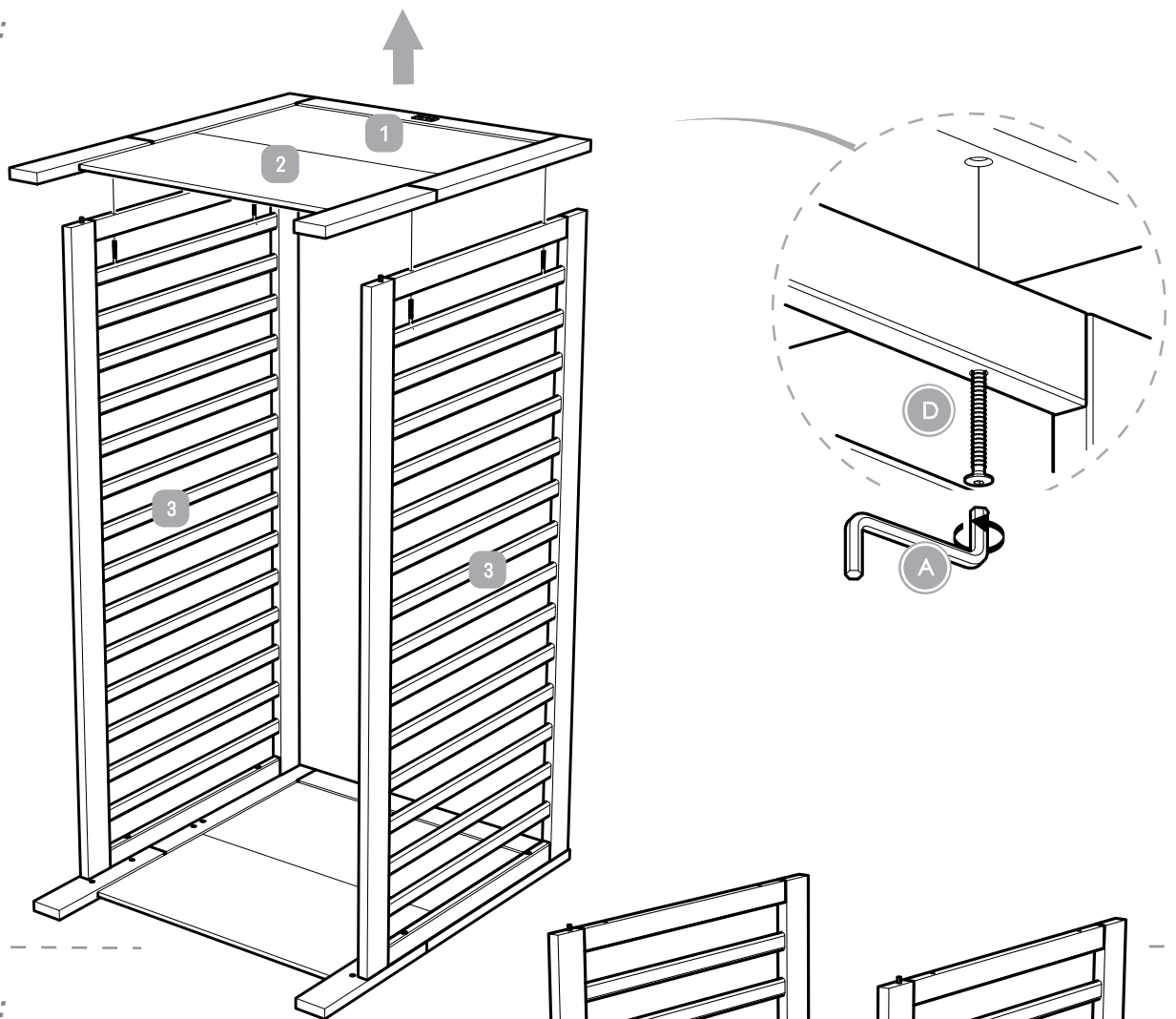
Step 8:



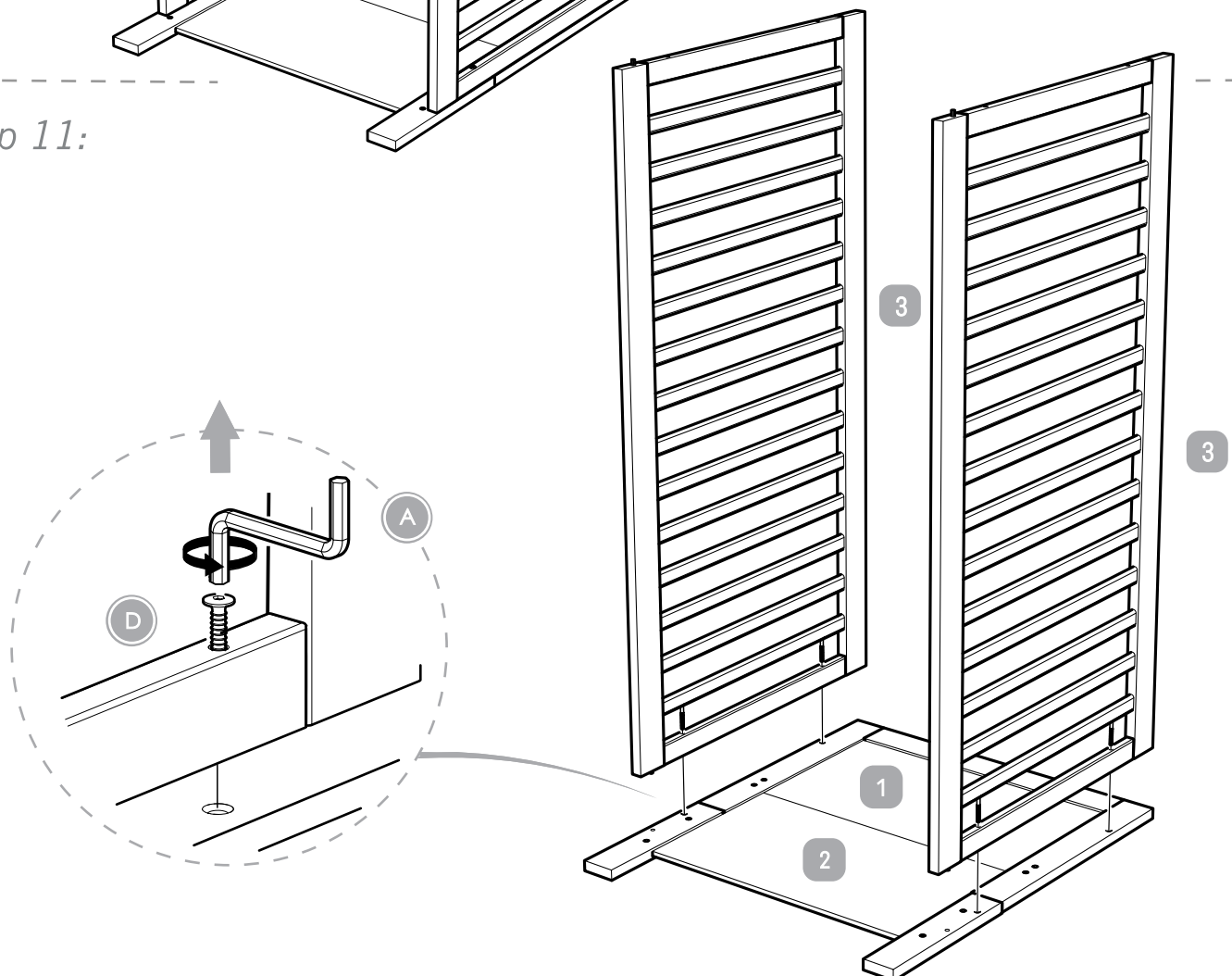
Step 9:



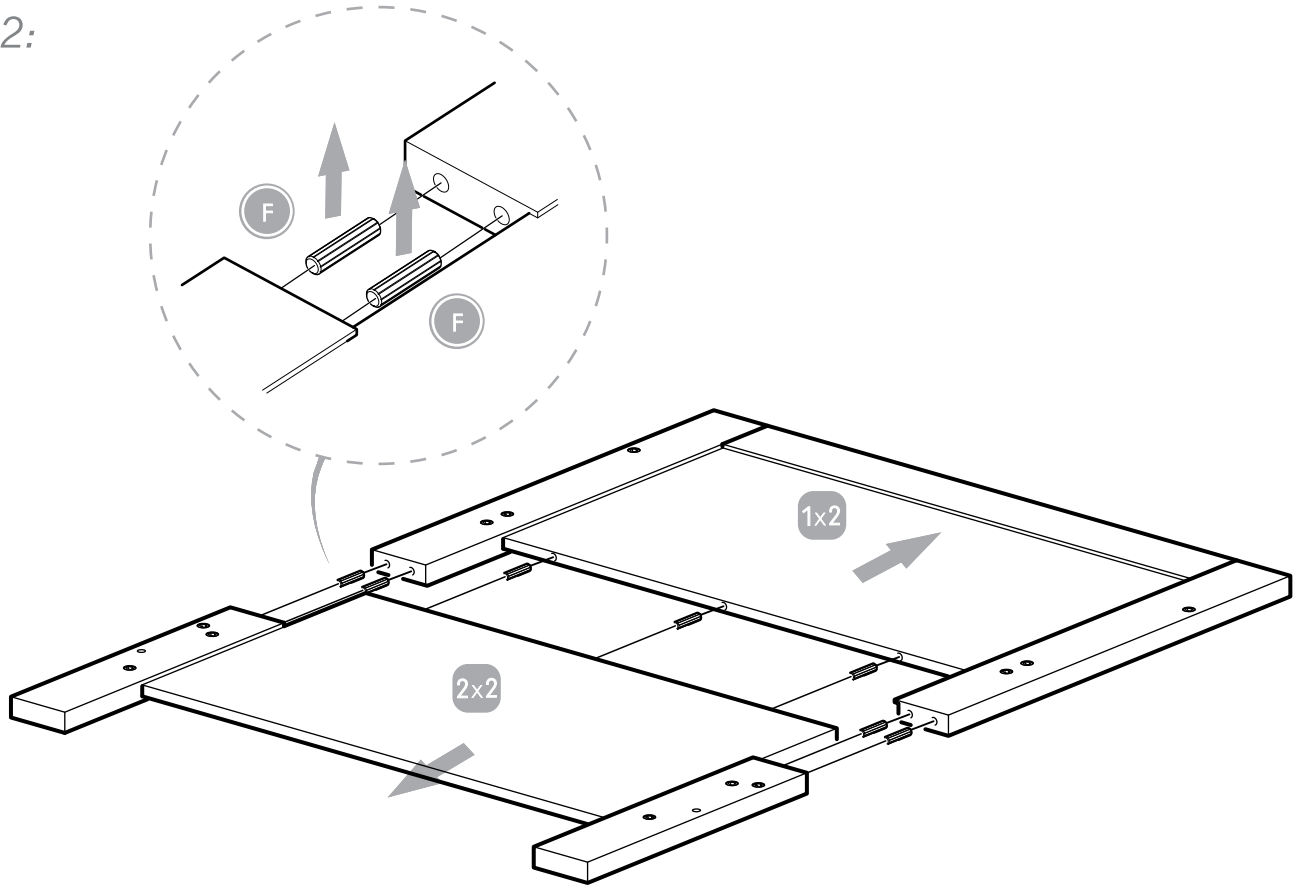
Step 10:



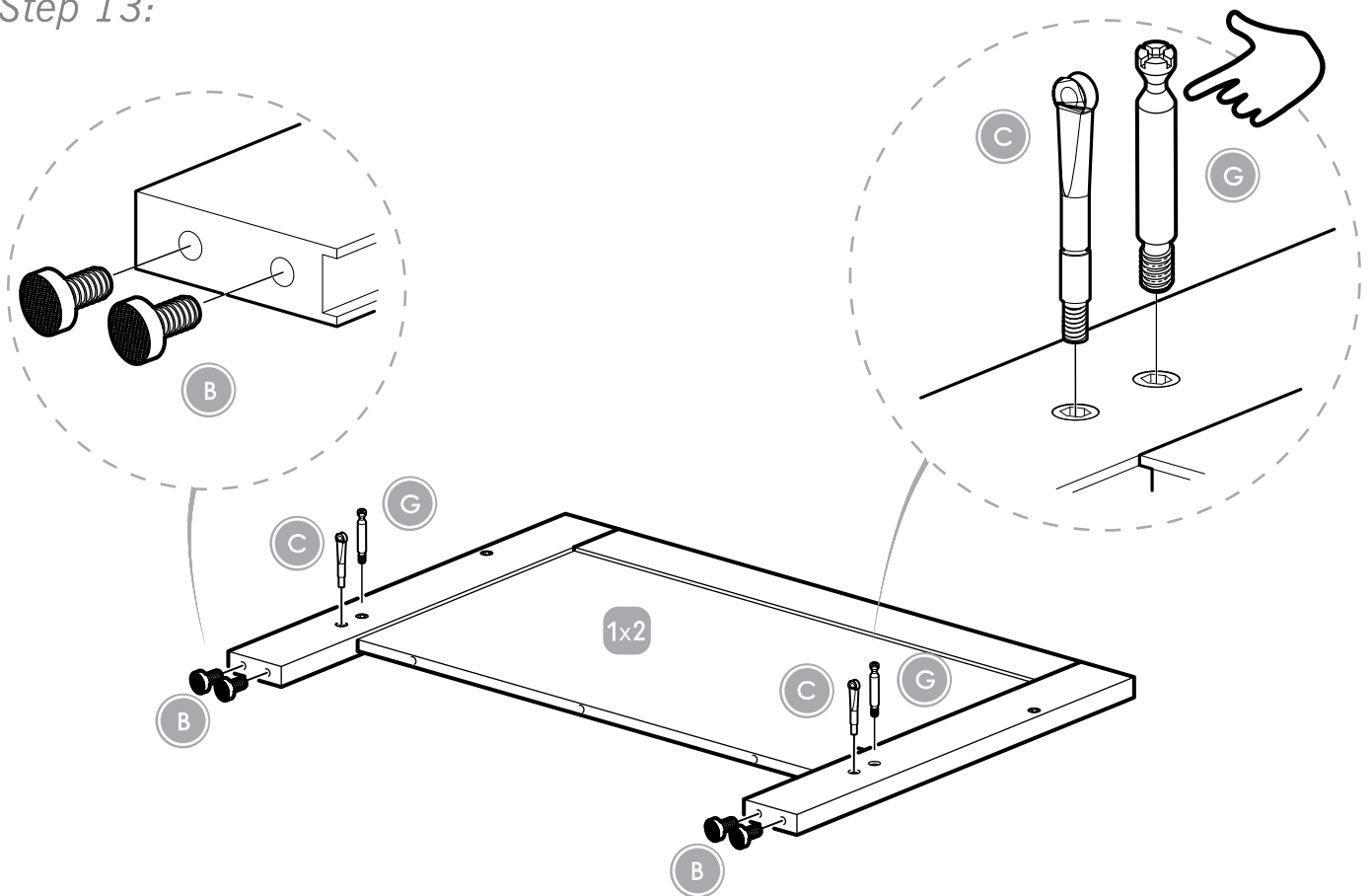
Step 11:



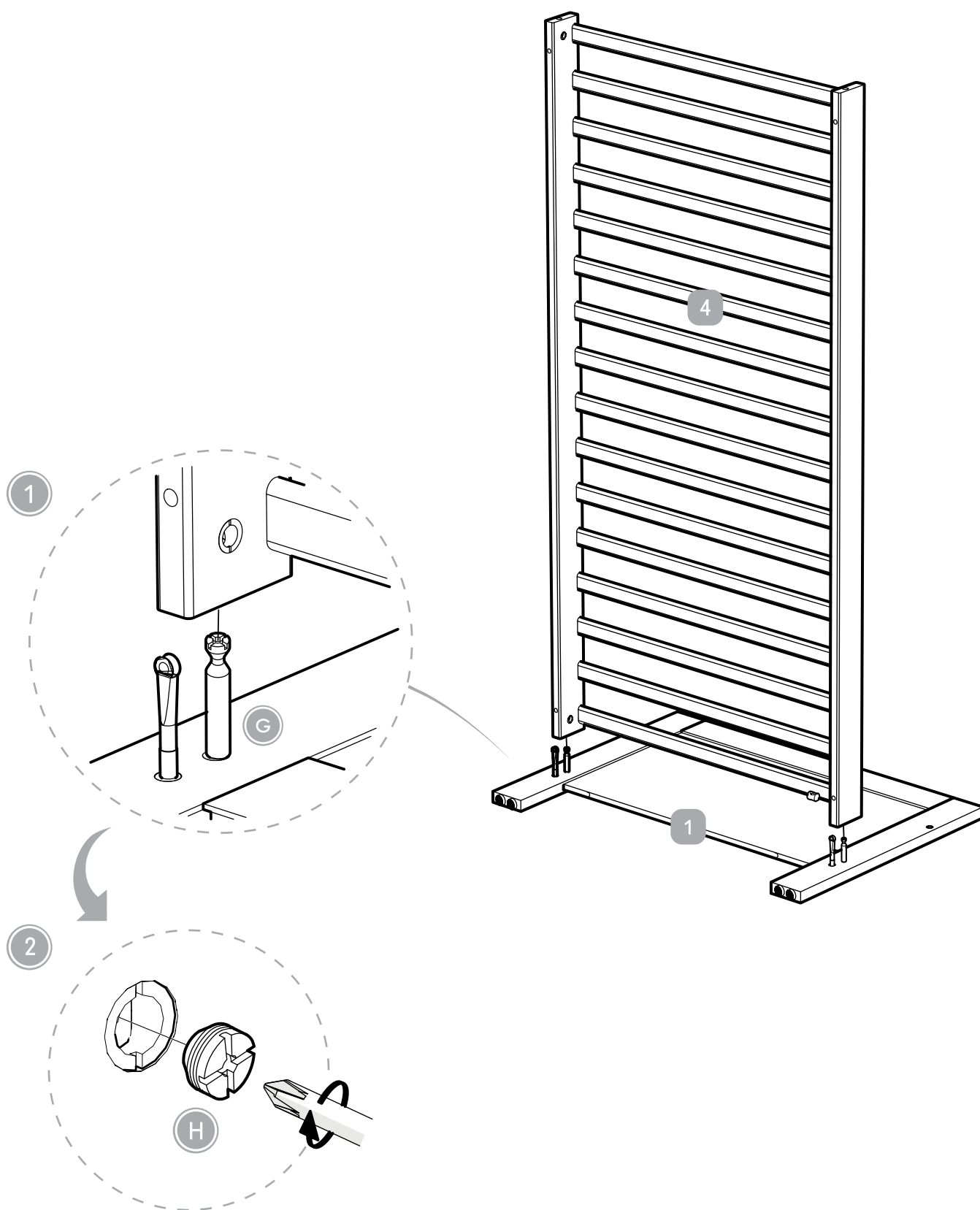
Step 12:



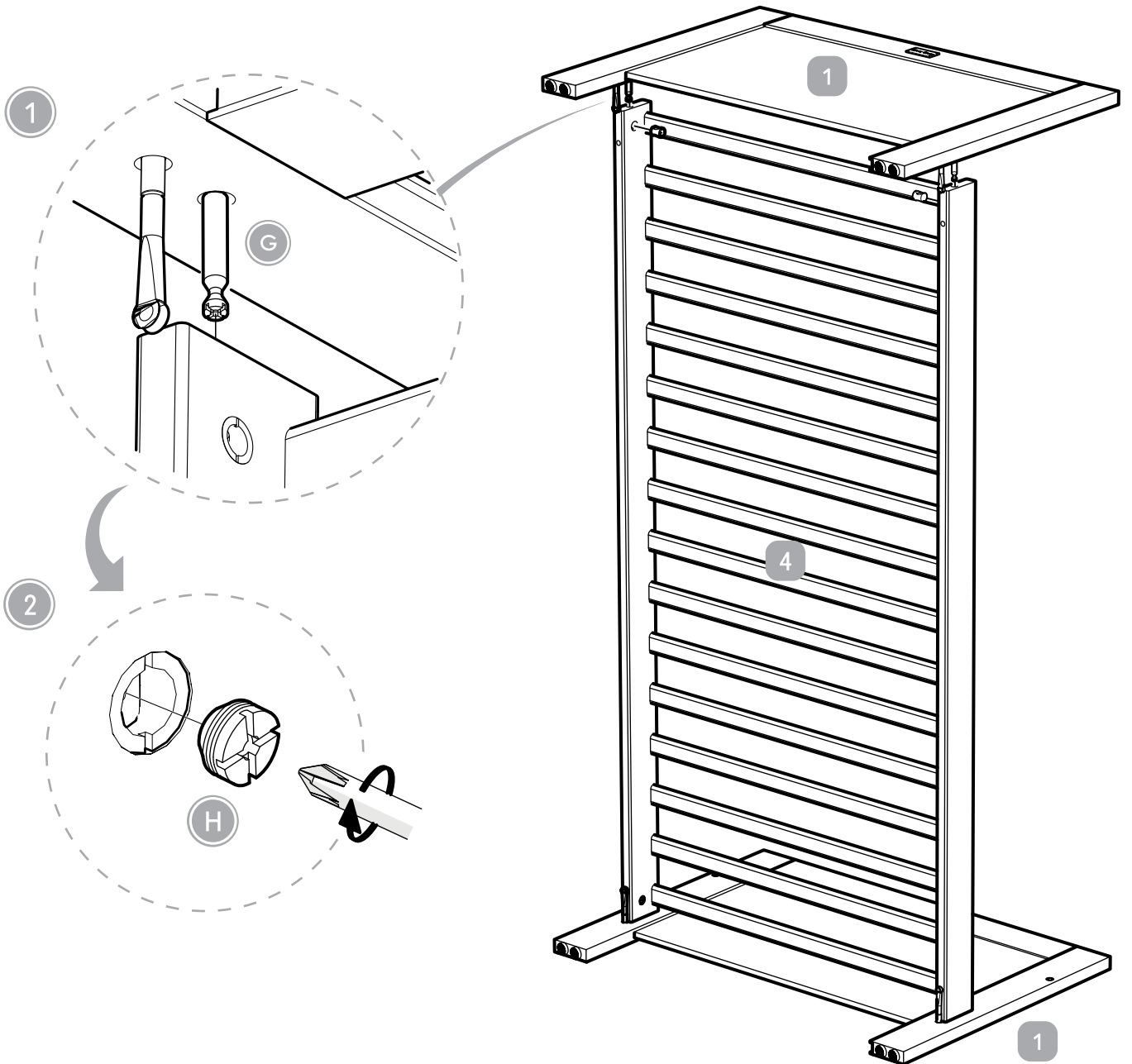
Step 13:

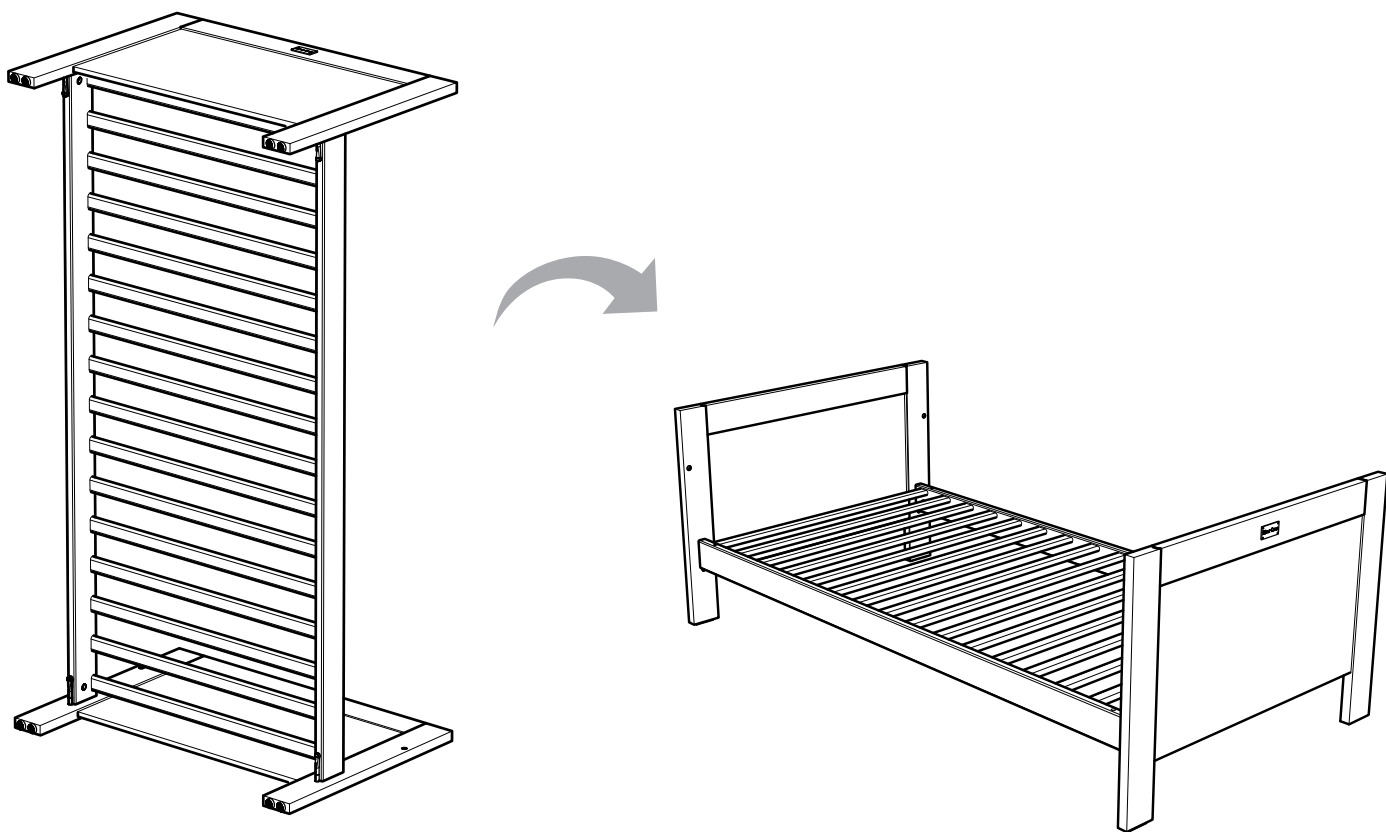


Step 14:

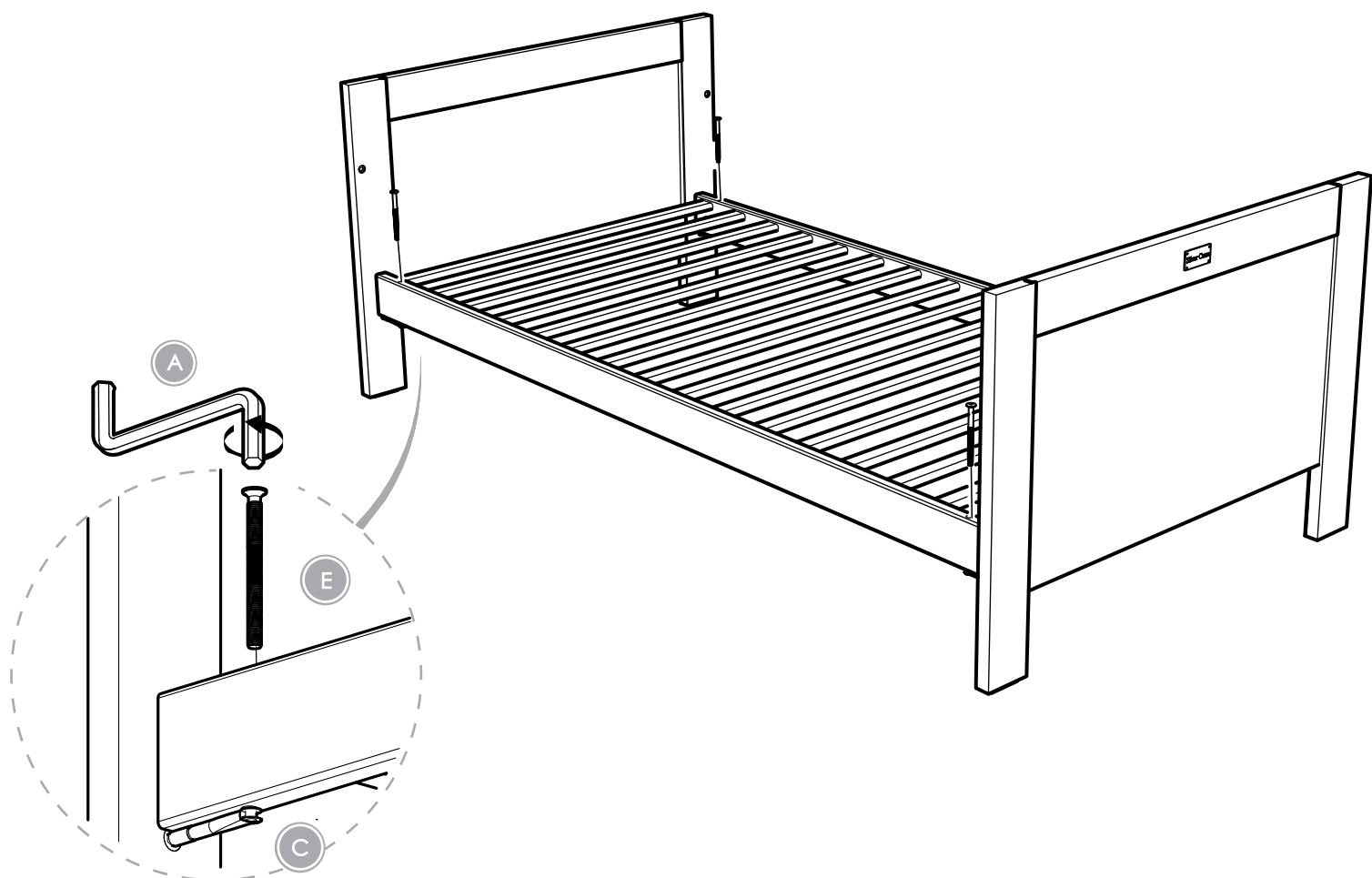


Step 15:





Step 16:



Warnings & Instructions

For Safe Use & Maintenance

Safety notes

This item is a high quality Silver Cross product. With correct use and maintenance it will give you good service. If however you should have any problems with your product, please contact your Silver Cross retailer who will take appropriate action.

WARNING: DO NOT LEAVE THE CHILD UNATTENDED

The safety of your child is your responsibility.

WARNING:

Regularly check all fittings and components of the cot bed are fully tightened and in good working order. If any parts have become worn or damaged then do not use the product and seek advice from your retailer or Silver Cross. Only use spare parts supplied by Silver Cross.

WARNING:

Be aware of the risk of open fire and other sources of strong heat, such as electric bar fires, gas fires etc. in the near vicinity of the cot bed.

WARNING:

A changing mattress is not supplied with this product. Place the changing mattress on the changing surface inside the retaining rails.

WARNING:

Suitable for children up to 12 months old (approximately). Maximum weight 11kgs.

WARNING:

Never use the cot bed if any parts are broken or missing.

WARNING:

Never drag or pivot the cot bed. It must be lifted and moved by at least two people.

WARNING:

Before use, ensure the cot bed is on a level, stable surface.

WARNING:

Do not allow children to climb on the cot bed. The cot bed can be cleaned with a damp cloth. Never use bleach, abrasive or strong detergents. Thoroughly dry immediately after cleaning.

Cot conforms to BS EN 716-1/2:2017 and toddler bed to BS 8509:2008+A1:2011

IMPORTANT: KEEP THESE INSTRUCTIONS FOR FUTURE REFERENCE

The Silver Cross logo is written in a stylized, cursive font. The word "Silver" is in a smaller font size than "Cross", and both are connected. A registered trademark symbol (®) is located at the end of the word "Cross".

Silver Cross (UK) Ltd, Micklethorn, Broughton, Skipton, North Yorkshire, BD23 3JA

silvercrossbaby.com

IM-EXC-240528-01r06

Silver Cross[®]

silvercrossbaby.com